



## Aluminium Windows & Doors

Education  
Sector

We are a family run business est 1967.

Whilst we do carry out works in the new build & refurbishment residential sector, 90% of our work is working within schools.

We either work as a subcontractor or act as principal contractor running the project from start to finish.

We have lots of experience working in live schools and we take the utmost importance of keeping the children and staff safe whilst causing minimal disruption to the school.

All our staff are DBS registered  
Our project managers have the required qualifications for H&S and running a project.

The aluminium systems we offer are of high quality, thermal efficient and meeting the new Part L 2022 Regulations.

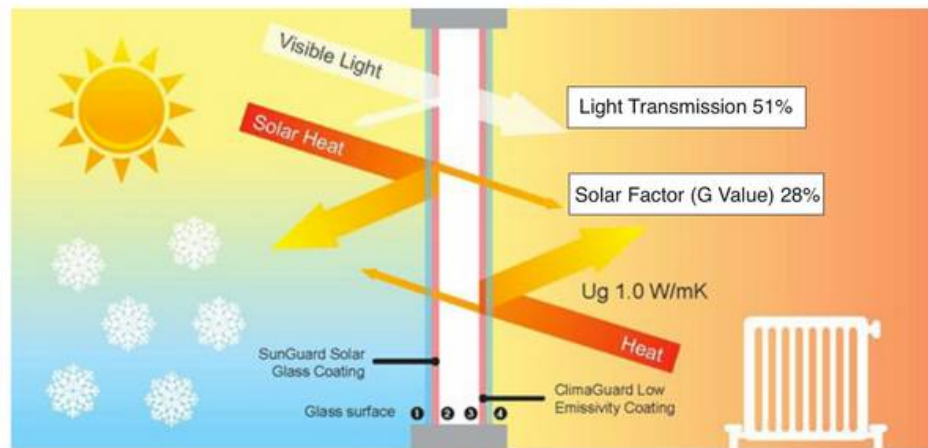
Many schools have made comments in the past of reduced heating bills

We can offer Plastisol steel, PPC aluminium or Trespa insulated panel where are a range of colours to choose from.

We recommend Plastisol steel as these are most cost efficient and very durable

We can offer a high performance solar control glass. With this high performance glass it can let as much light in as possible whilst reducing the solar gain. This makes a huge difference to South facing elevations.

### **G Value & Light Transmission Explained**



**About us**  
**What we offer**

**Before &  
After  
Gallery**





**Standard Espag Handle**

**Teleflex Winding Gear  
(Subject to additional costs)**



**Operating Handle**

**Folding Opener**

**(Subject to additional costs)**

Ideal for openers up to 3m can be operate by pole





300mm Pad Handles  
(Our Standard Handle)

**Handles shown below are subject to additional costs**  
***Please see our quotation for costs***

**Alpro 97 Series**  
**Full Height Tubular**



**Alpro 03 Series**  
**Circular Tubular**



**Alpro 02 Series**  
**Cranked 'D' Tubular**



## Concealed Panic Bar



Shoot Bolt Top & Bottom

## Escape Lock with lever handles



Remains locked externally

In means of escape door will unlock when handle is operated internally

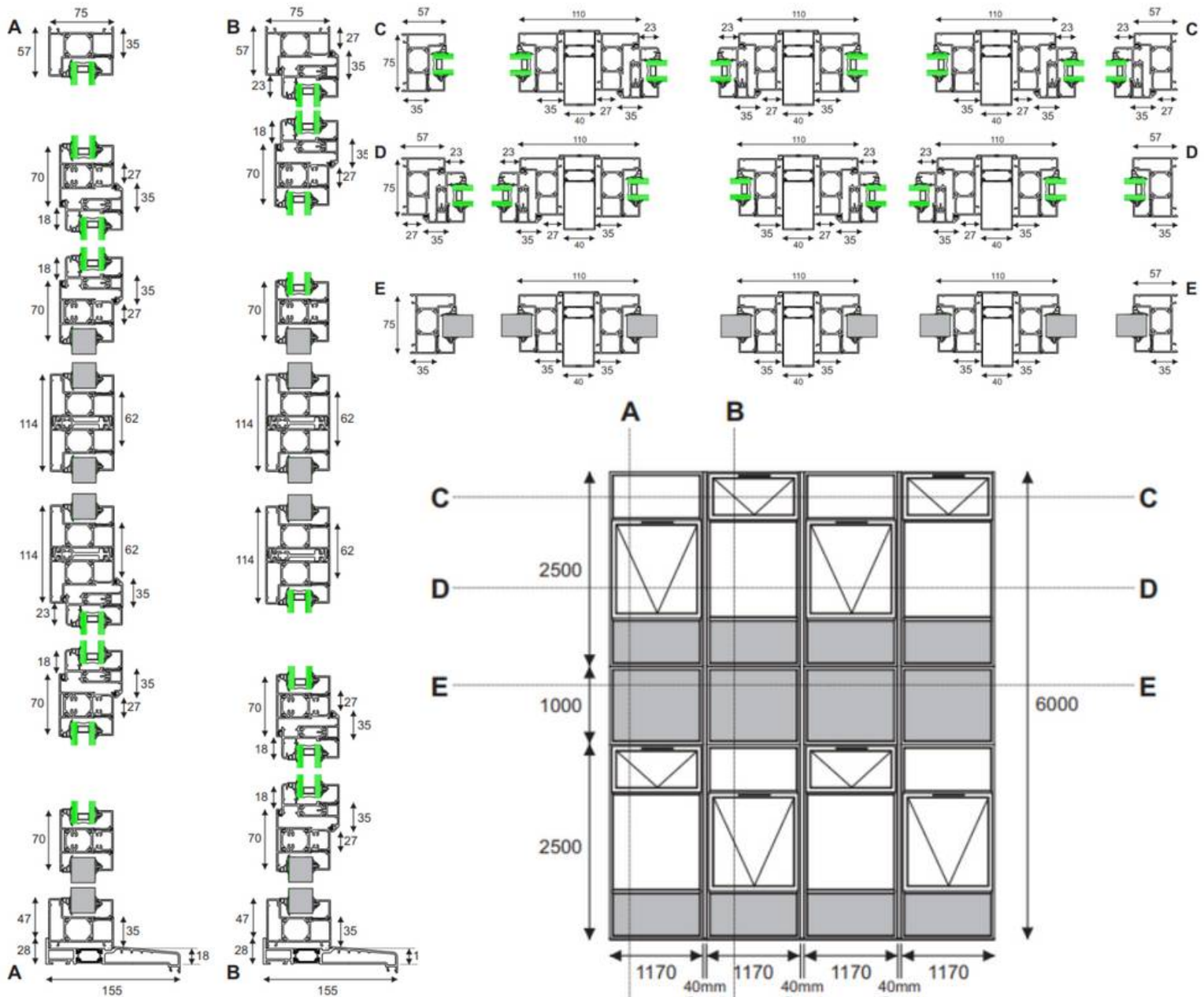
## Magnetic Lock



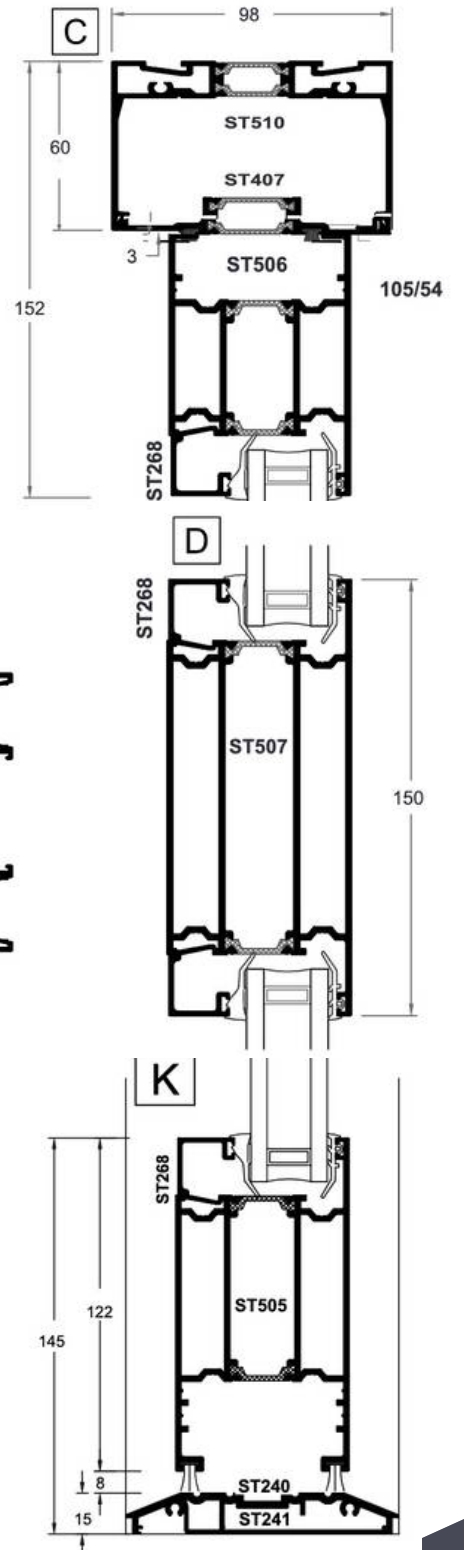
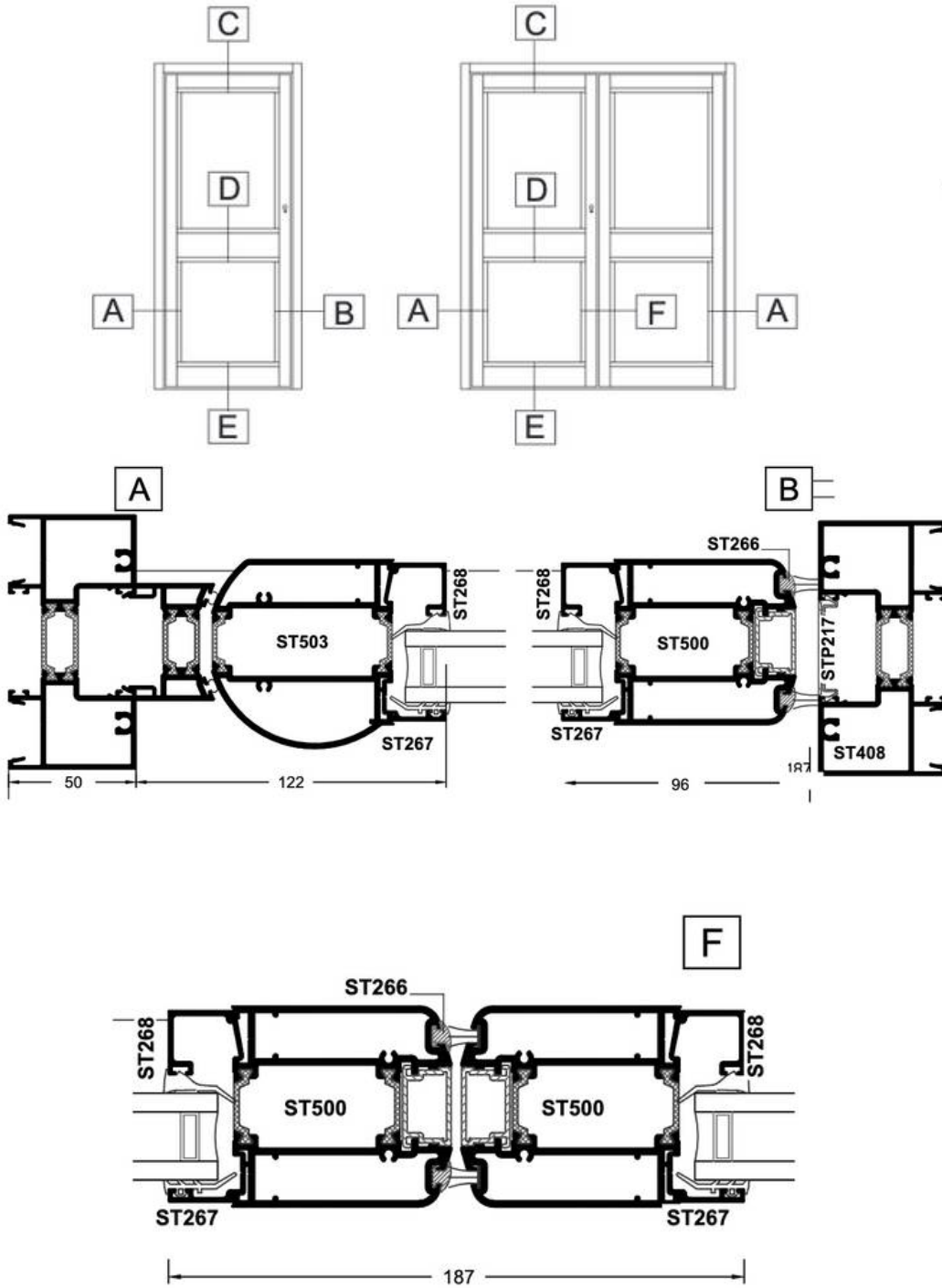
## Electric Release Strike



**Standard Locking Options  
(Subject to additional costs)**



**Typical Window Walling  
Sectional Detail**







Clivnars Ltd  
Pindar Road  
Hoddesdon  
Hertfordshire  
EN11 0EA  
[www.clivnars.co.uk](http://www.clivnars.co.uk)  
[estimating@clivnars.co.uk](mailto:estimating@clivnars.co.uk)